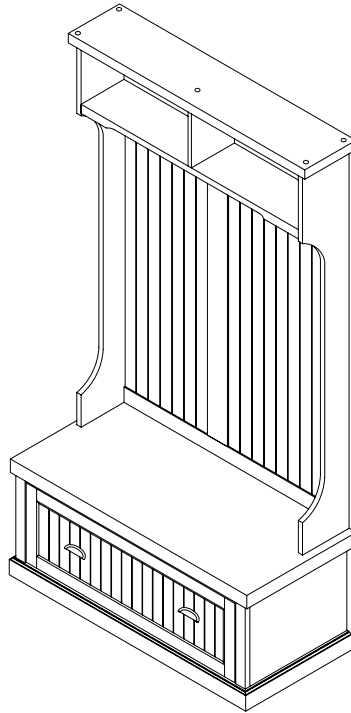
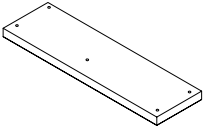


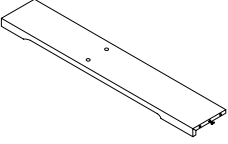
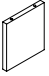
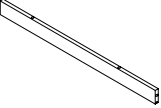
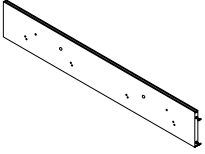
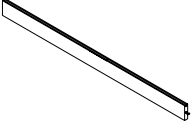

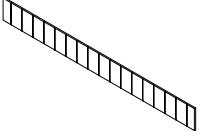
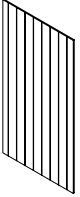
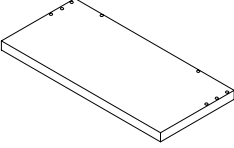
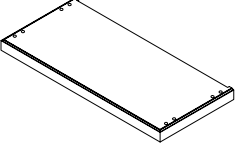
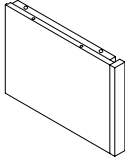
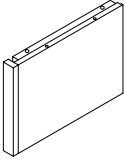
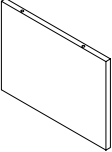

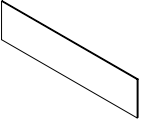




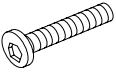
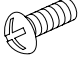
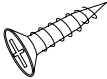
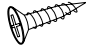

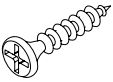
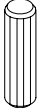



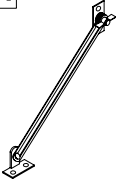
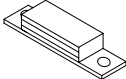
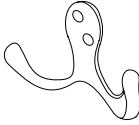
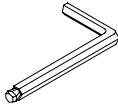
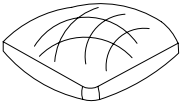
Hall Tree
CF6006



PART LIST

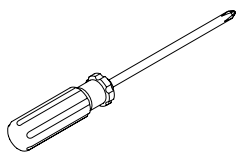
<p>A</p> 	<p>B</p> 	<p>C</p> 	<p>D</p> 	<p>E</p> 
<p>Top Panel 1 PC</p>	<p>Upper Left Side Panel 1 PC</p>	<p>Upper Right Side Panel 1PC</p>	<p>Shelf 1PC</p>	<p>Upper Vertical Panel 1 PC</p>
<p>F</p> 	<p>G</p> 	<p>H</p> 	<p>I</p> 	<p>J</p> 
<p>Back Upper Rail 1 PC</p>	<p>Back Middle Rail 1 PC</p>	<p>Bottom Rail 1 PC</p>	<p>Back Partition Rail 1 PC</p>	<p>Upper Back Panel 1 PC</p>
<p>K</p> 	<p>L</p> 	<p>M</p> 	<p>N</p> 	<p>O</p> 
<p>Middle Back Panel 2 PCS</p>	<p>Seat Panel 1 PC</p>	<p>Bottom Panel 1 PC</p>	<p>Lower Left Side Panel 1 PC</p>	<p>Lower Right Side Panel 1 PC</p>
<p>P</p> 	<p>Q</p> 	<p>R</p> 		
<p>Middle Vertical Panel 1 PC</p>	<p>Door 1 PC</p>	<p>Bottom Back Panel 1 PC</p>		

HARDWARE LIST

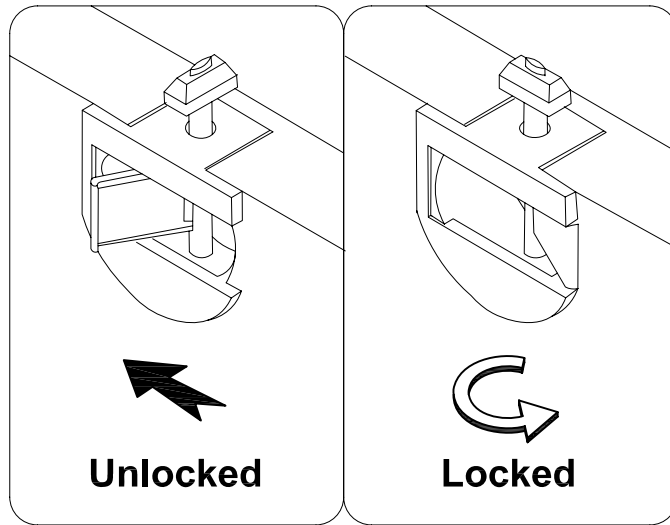
#1  Ø1/4"*1-3/4"	#2  Ø4.5mm*3/8"	#3  Ø3mm*5/8"	#4  Ø3mm*1/2"	#5  Ø3mm*1/2"
Hex Socket Head Bolt 19 PCS(Extra 1)	Handle Bolt 5 PCS(Extra 1)	Flat Head Screw 11 PCS(Extra 1)	Short Flat Head Screw 9 PCS(Extra 1)	Screw 41 PCS(Extra 1)
#6  Ø4mm*1"	#7  Ø8mm*1-1/8"	#8  Ø1/4"*11mm	#9  Ø1/4"*13mm	#10 
Long Flat Head Screw 3 PCS(Extra 1)	Wood Dowel 31 PCS(Extra 1)	Spring Washer 19 PCS(Extra 1)	Flat Washer 19 PCS(Extra 1)	Handle 2 PCS
#11 	#12 	#13 	#14  4mm	#15 
Hinge 2 PCS	Magnet 2 PCS	Hook 4 PCS	Allen Wrench 1 PC	Safety Strap Kit 1 PC

ADDITIONAL TOOLS(Not Provided)

Note:It is not recommended to use power tools during assembly

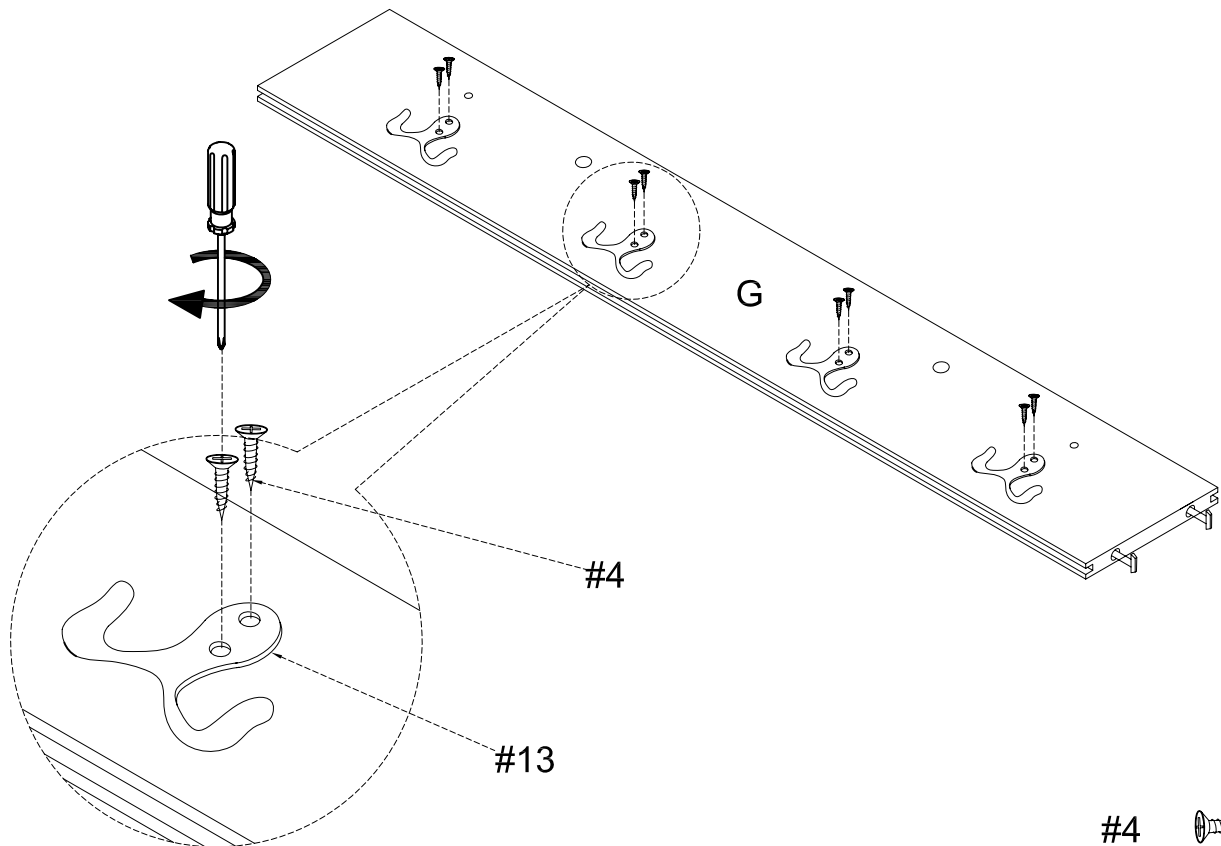


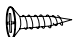
Please do not use tools to assemble this unit unless specifically indicated.



Reference the images above any time the instructions state "lock the hardware".
Note: Be sure to check all hardware is locked when completed.

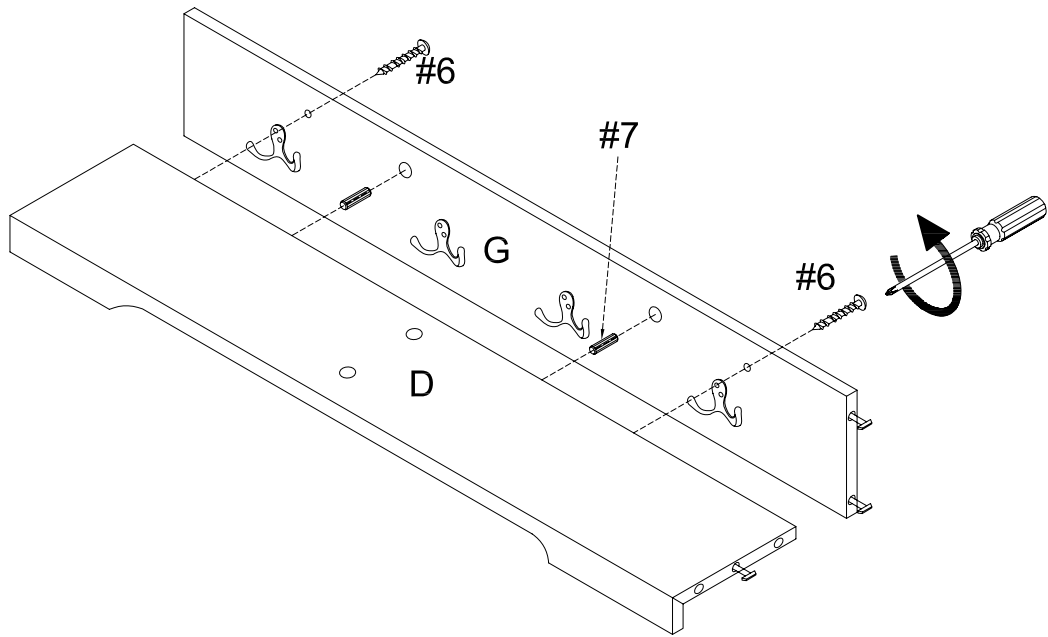
Step 1. Attach hooks (part #13) to back middle rail (part G) using short flat head screws (part #4) and Phillips head screwdriver.




#4  x 8

#13  x 4

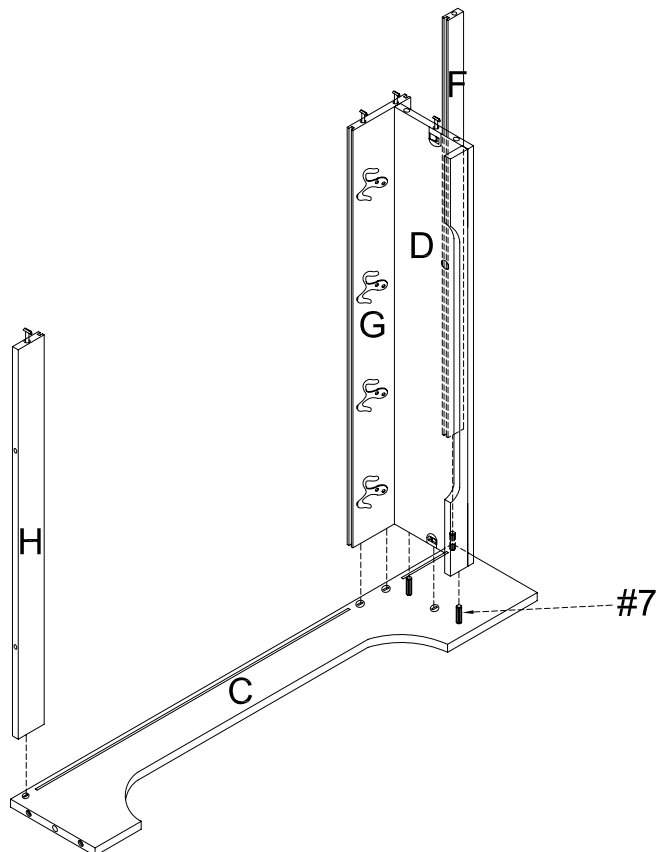
Step 2. Attach back middle rail (part G) to shelf (part D) using wood dowels (part #7), long flat head screws (part #6) and Phillips head screwdriver.



#7  x 2

#6  x 2

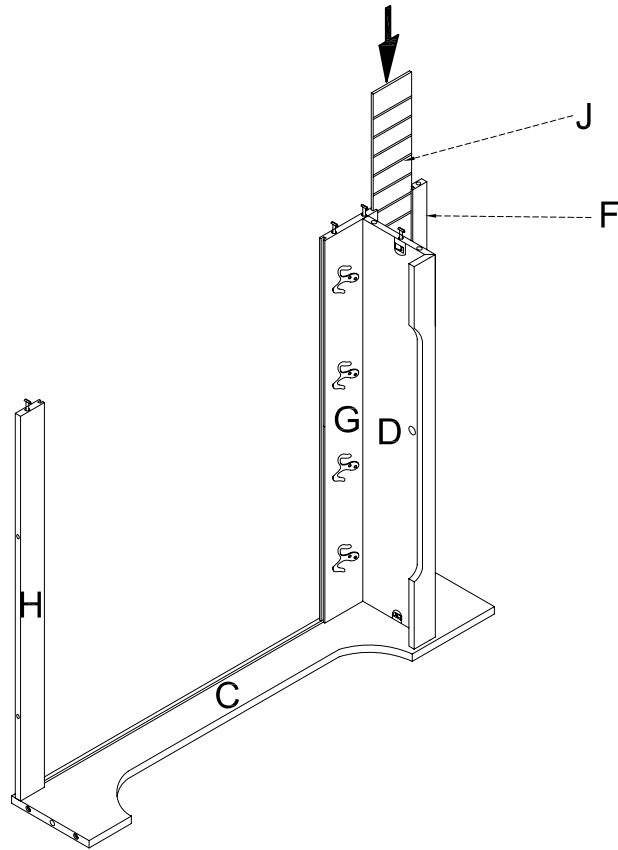
Step 3. Lay upper right side panel (part C) on a soft surface such as carpet as shown. Attach assembled unit (parts D & G) and back upper rail (part F) to upper right side panel (part C) using wood dowels (part #7), and lock the hardware. Attach bottom rail (part H) to upper right side panel (part C) and lock the hardware.



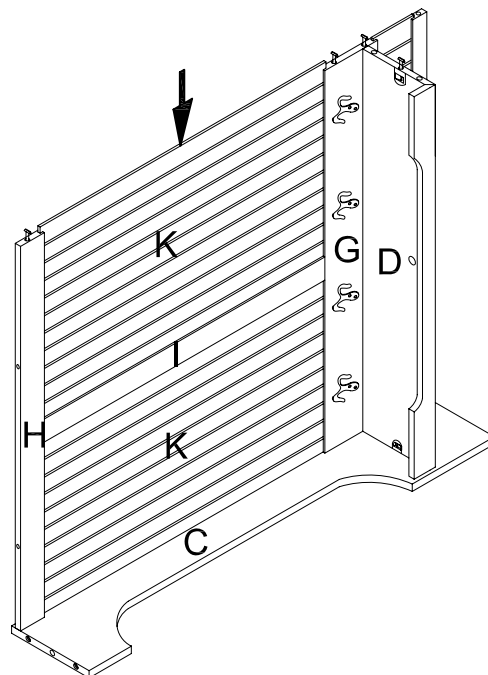
5

#7  x 3

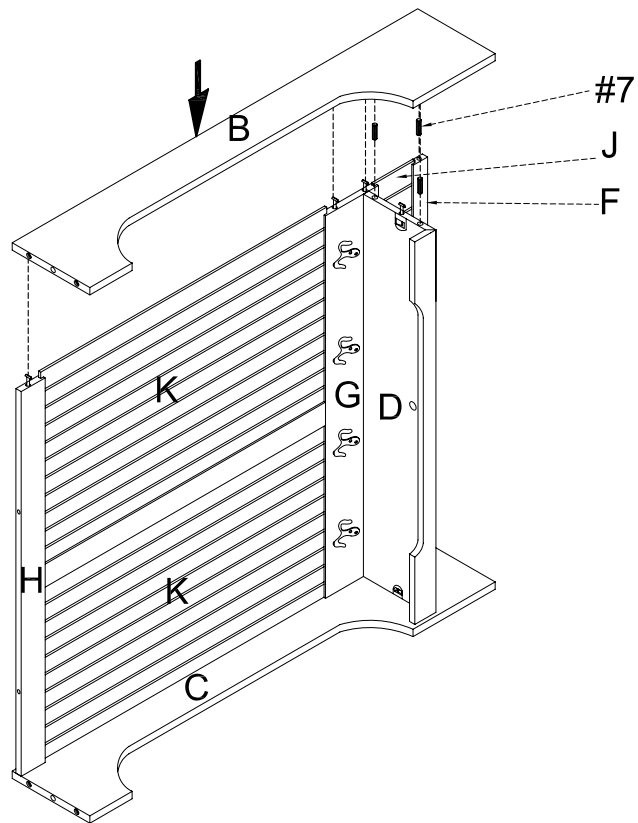
Step 4. Slide upper back panel (part J) into grooves of assembled unit (parts C, F & G).




Step 5. Slide middle back panels (part K) and back partition rail (part I) into grooves of assembled unit (parts C, G & H) as shown.

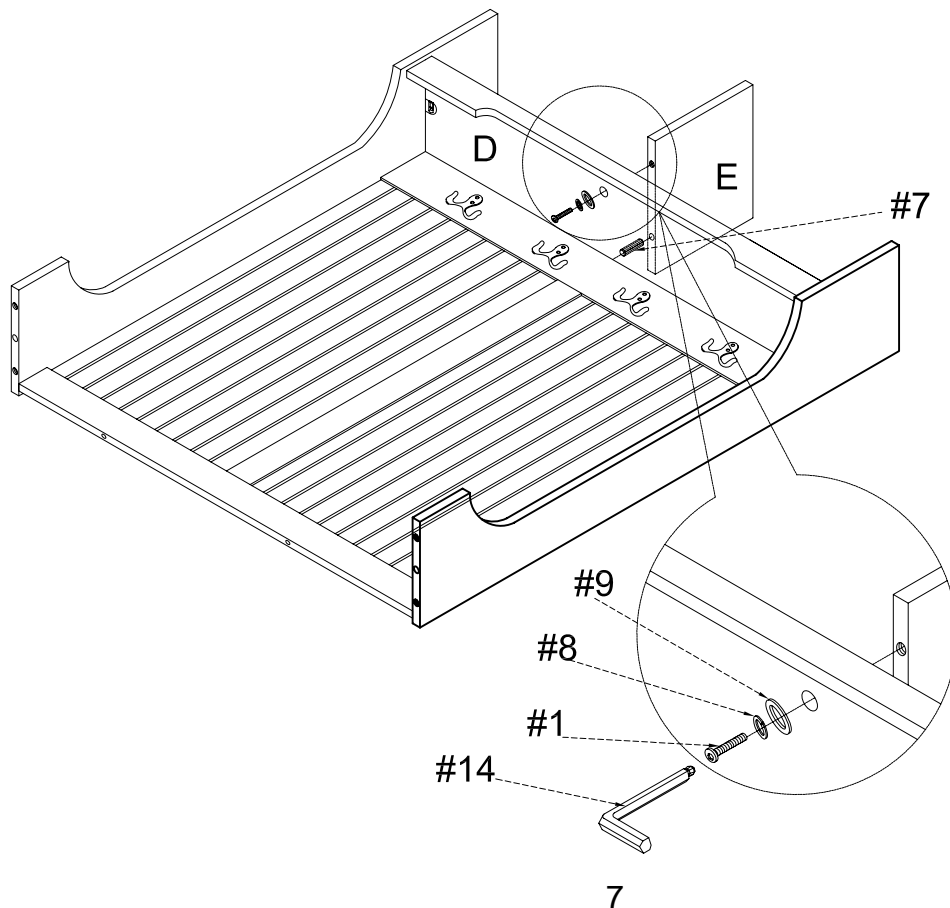


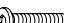




Step 6. Attach left side panel (part B) to back upper rail (part F), shelf (part D), back middle rail (part G) and bottom rail (part H) using wood dowels (part #7) then lock the hardwares.



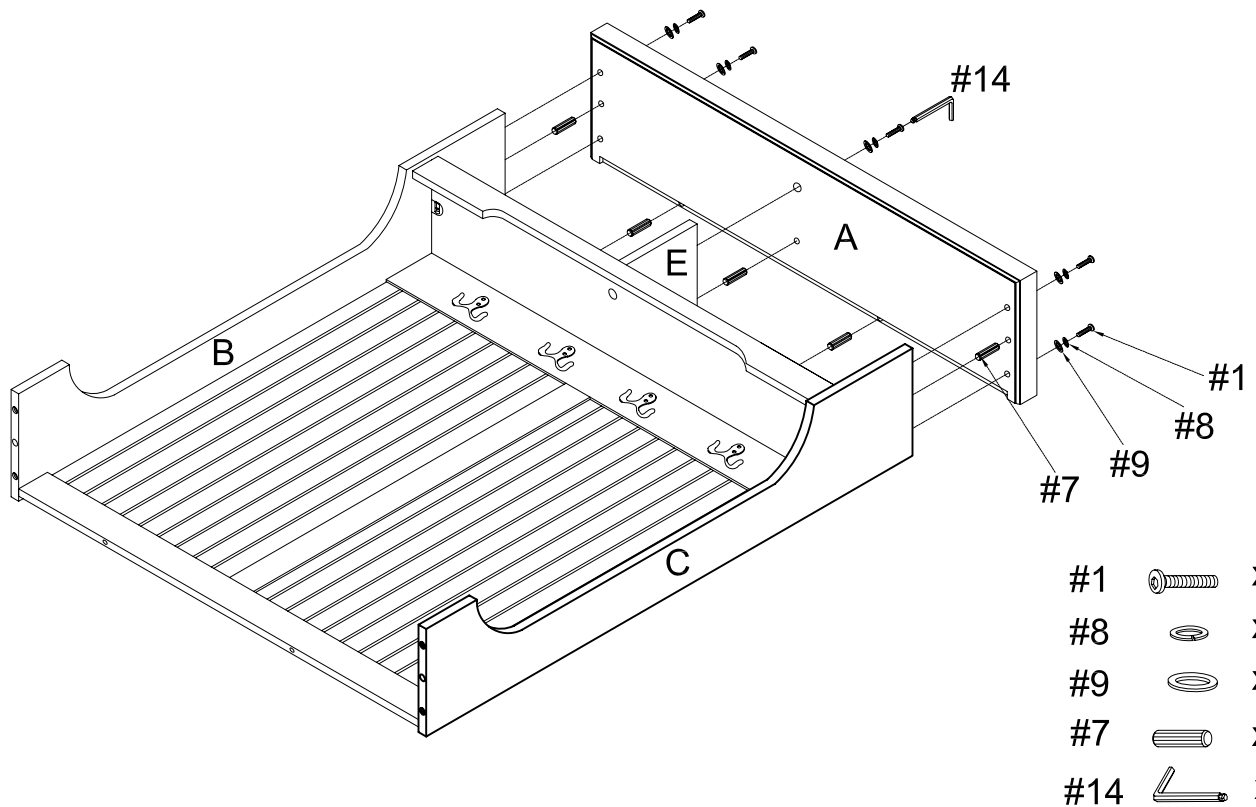
#7  x 3

Step 7. Attach upper vertical panel (part E) to shelf (part D) using wood dowel (part #7), hex socket head bolt (part #1), spring washer (part #8), flat washer (part #9) and allen wrench (part #14).

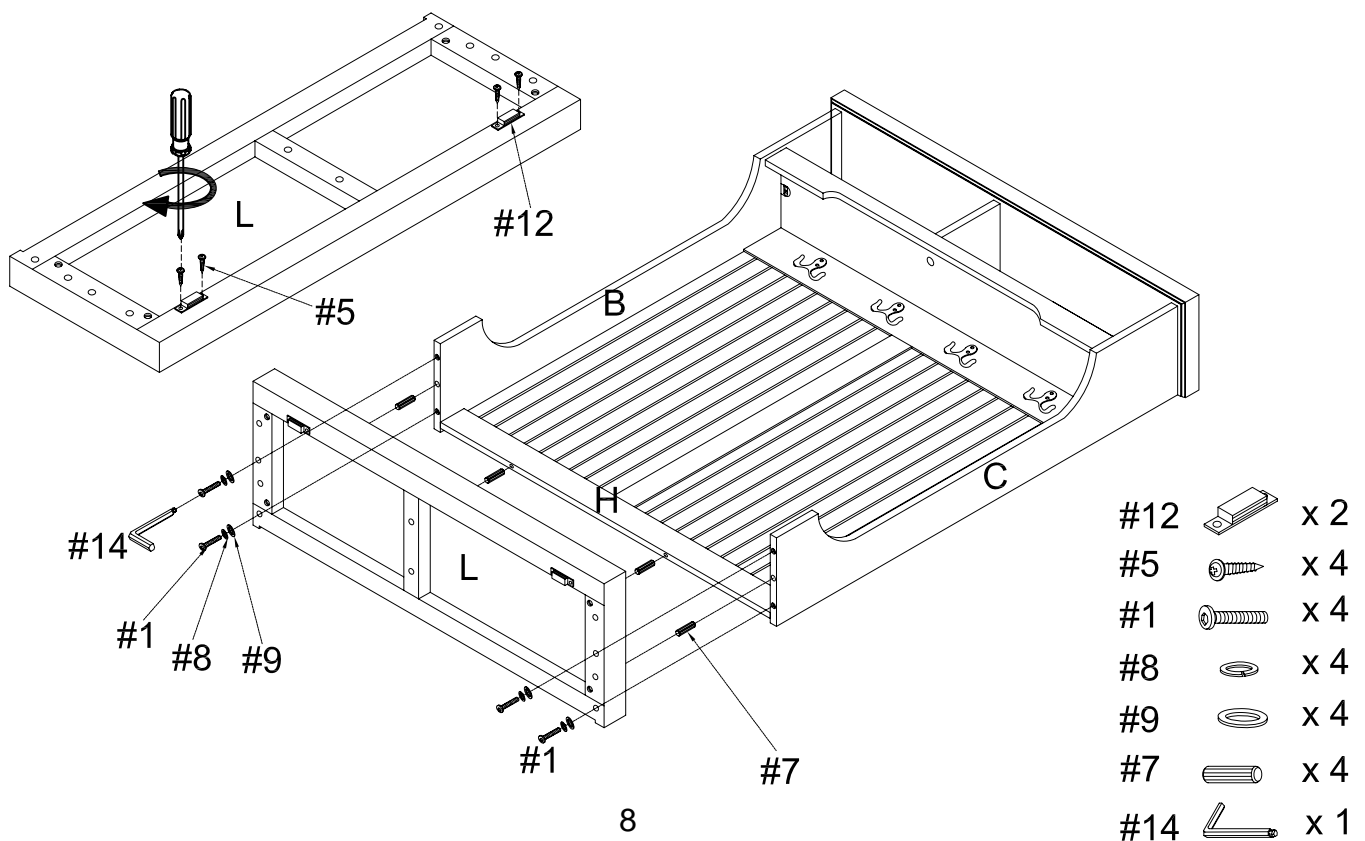


#1  x 1
 #8  x 1
 #9  x 1
 #7  x 1
 #14  x 1

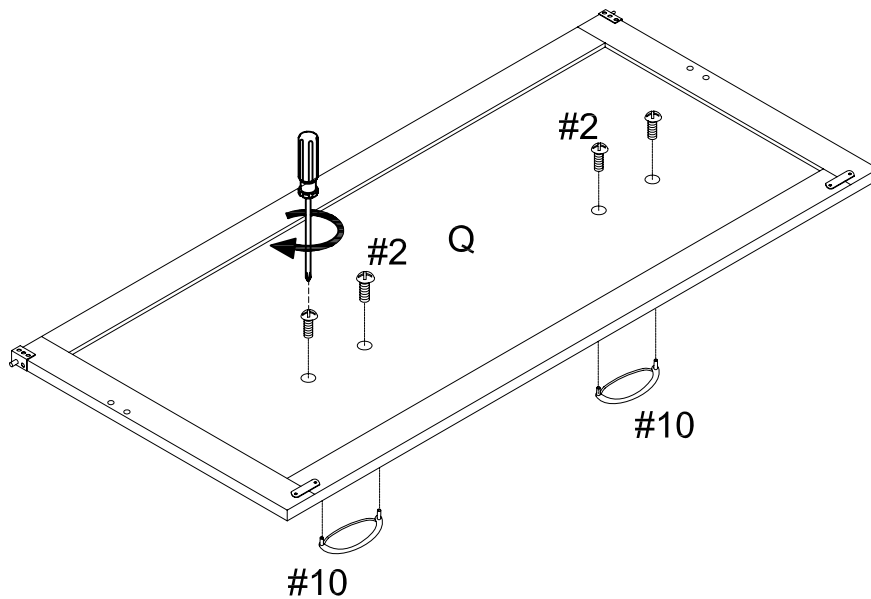
Step 8. Attach top panel (part A) to upper left side panel (part B), upper right side panel (part C), upper vertical panel (part E) and back upper rail (part F) using wood dowels (part #7), hex socket head bolts (part #1), spring washers (part #8), flat washers (part #9) and allen wrench (part #14).




Step 9. Attach magnets (part #12) to seat panel (part L) using screws (part #5) and Phillips head screwdriver. Attach seat panel (part L) to upper left side panel (part B), upper right side panel (part C) and bottom rail (part H) using wood dowels (part #7), hex socket head bolts (part #1), spring washers (part #8), flat washers (part #9) and allen wrench (part #14).



Step 10. Attach handles (part #10) to door (part Q) using handle bolts (part #2) and Phillips head screwdriver.

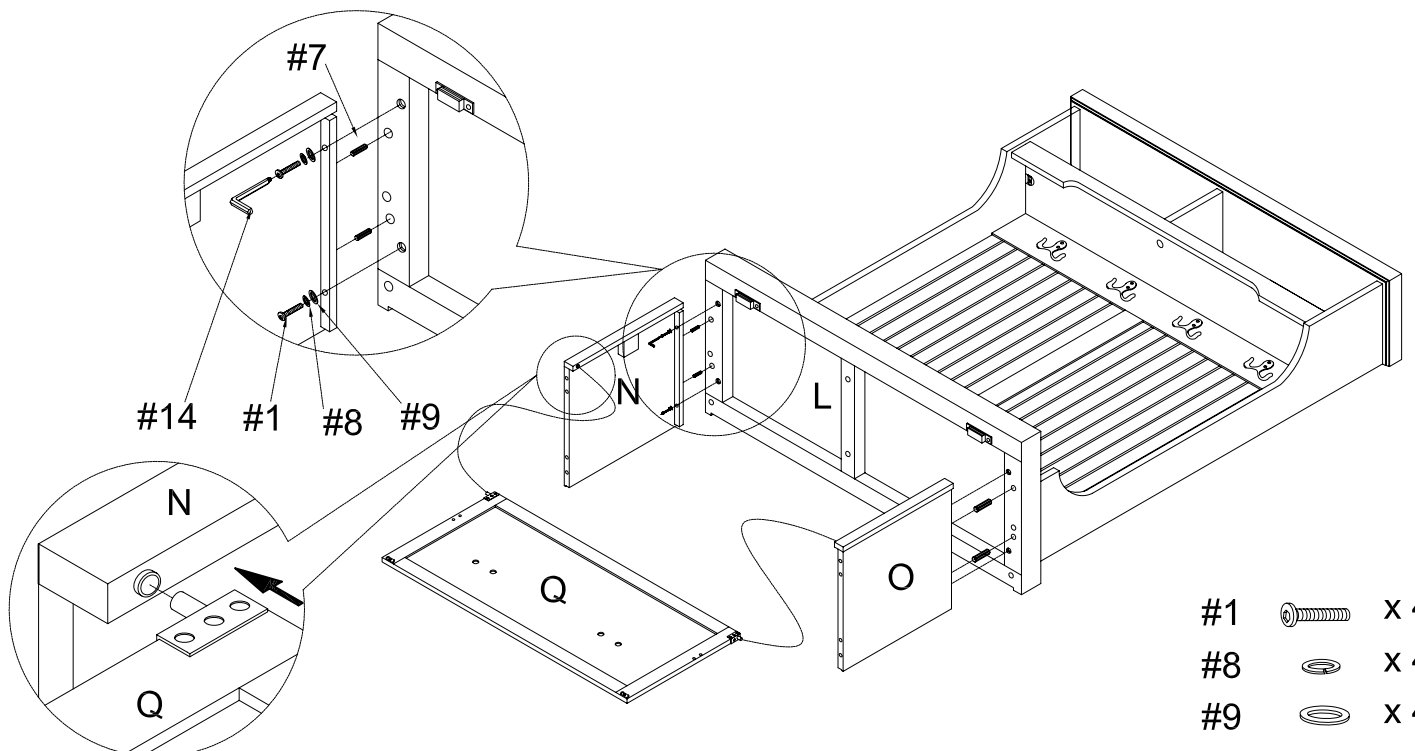


#2  x 4

#10  x 2

Step 11. Attach lower left and right side panel (parts N & O) to seat panel (part L) using wood dowels (part #7), hex socket head bolts (part #1), spring washers (part #8), flat washers (part #9) and allen wrench (part #14). NOTE: DO NOT FULLY TIGHTEN BOLTS!


Insert door (part Q) into lower left and right side panels (parts N & O) as shown.
NOTE: Please fully tighten bolts at this time.



#1  x 4

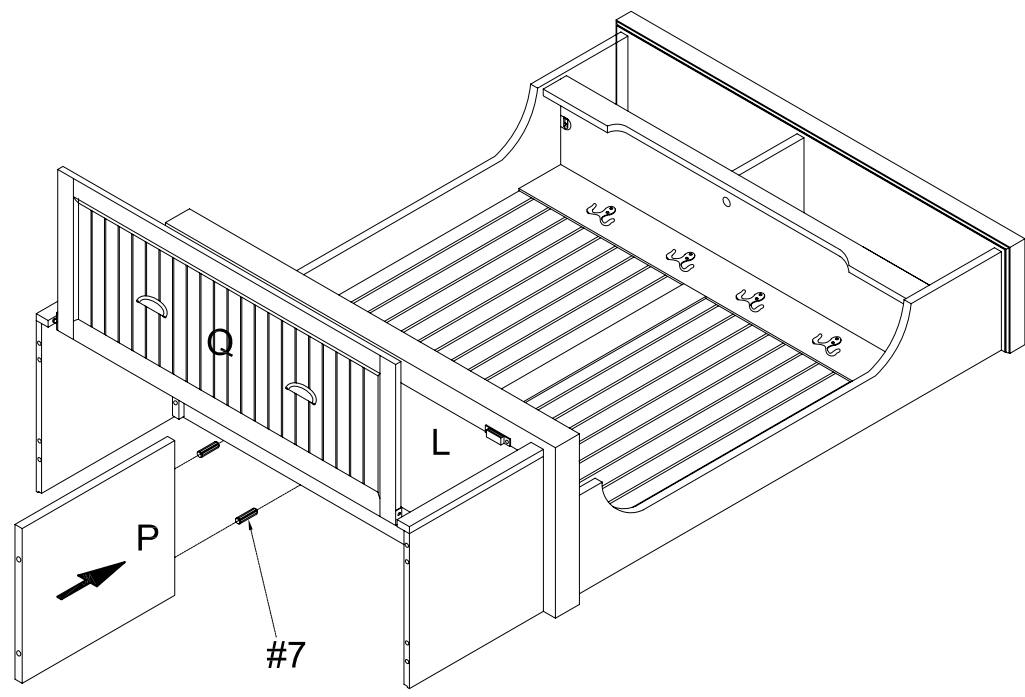
#8  x 4


#9  x 4

#7  x 4

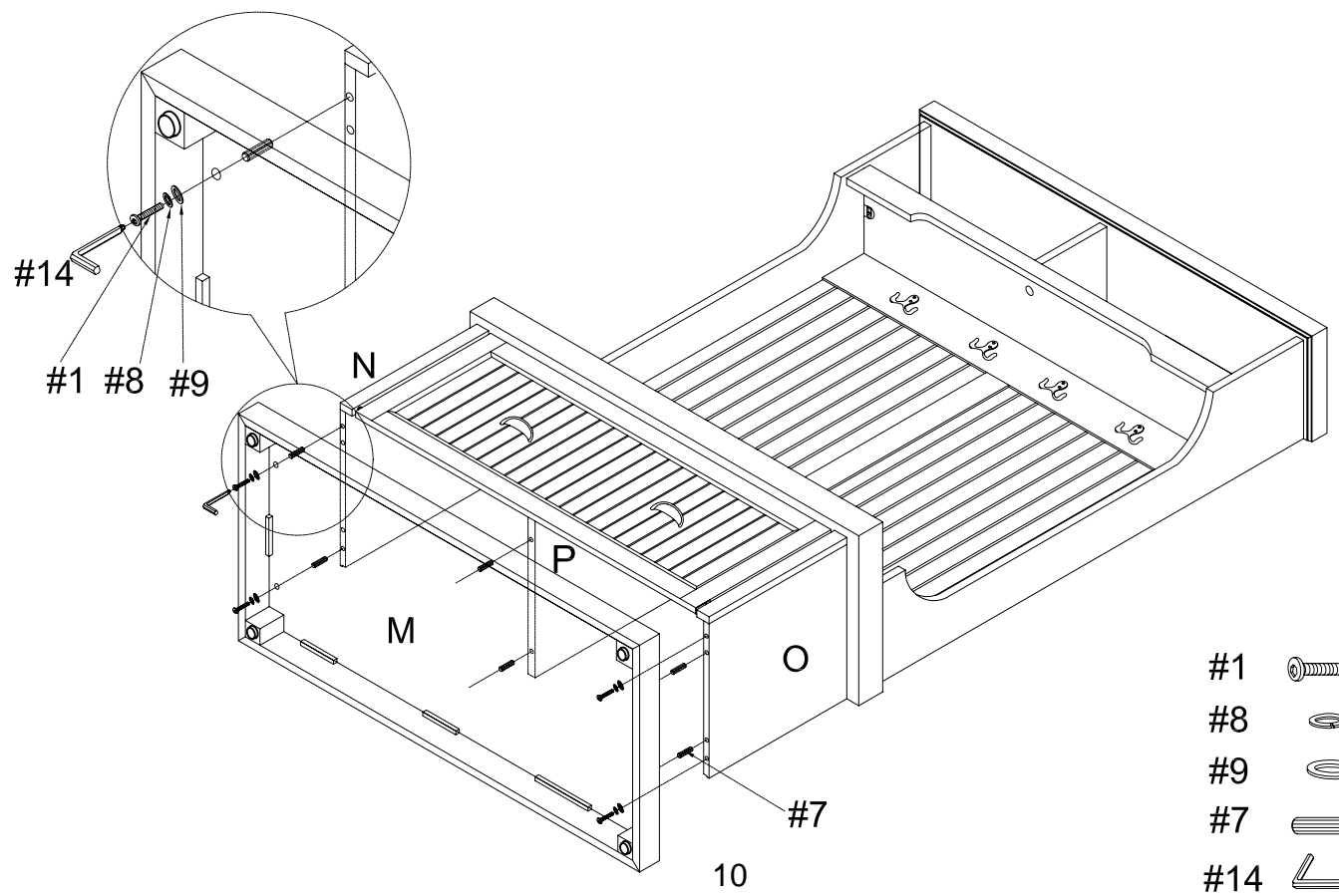
#14  x 1

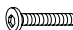




Step 12. Hold the door (part Q) up as shown, and insert middle vertical panel (part P) using wood dowels (part #7) to seat panel (part L). Once the middle vertical panel (part P) is in place, gently lay door (part Q) down as shown in step 13.



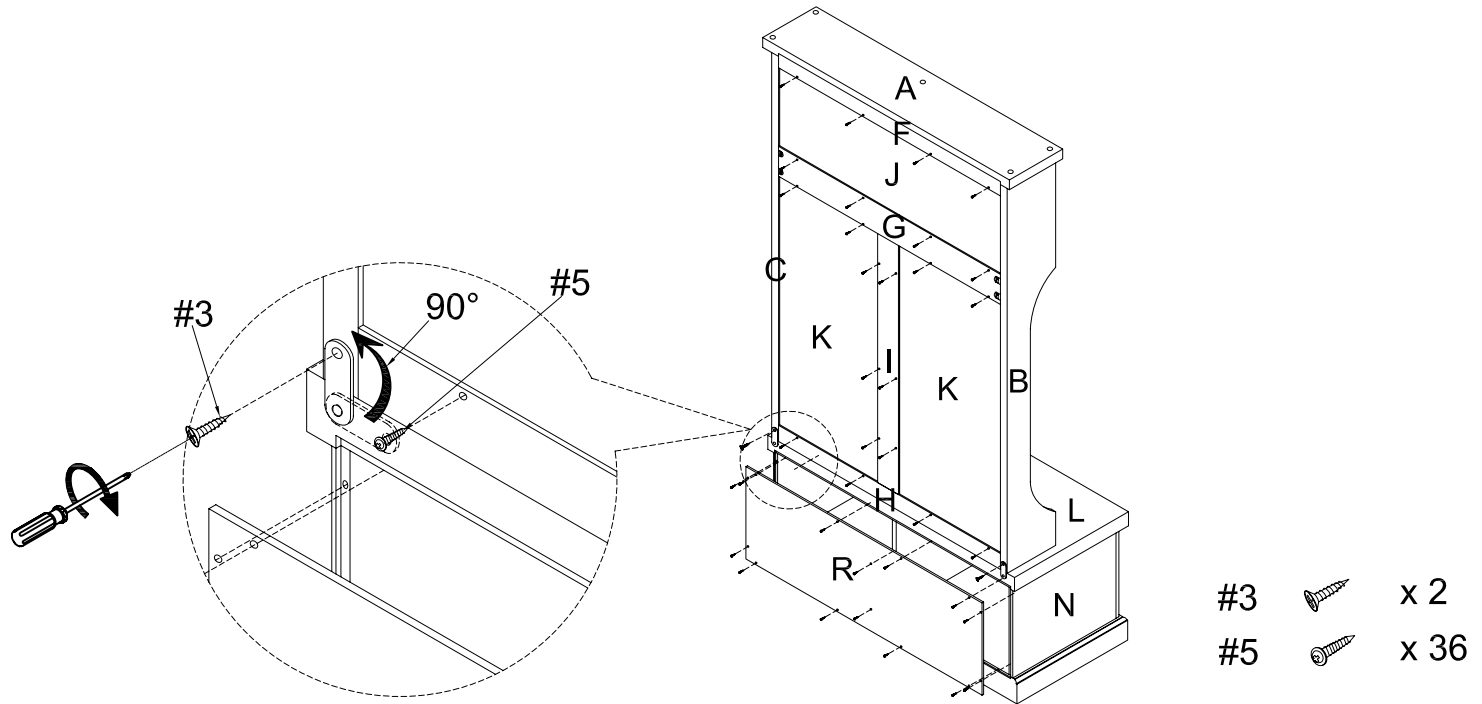
#7  x 2

Step 13. Attach bottom panel (part M) to lower left side panel (part N), middle vertical panel (part P) and lower right side panel (part O) using wood dowels (part #7), hex socket head bolts (part #1), spring washers (part #8), flat washers (part #9) and allen wrench (part #14).

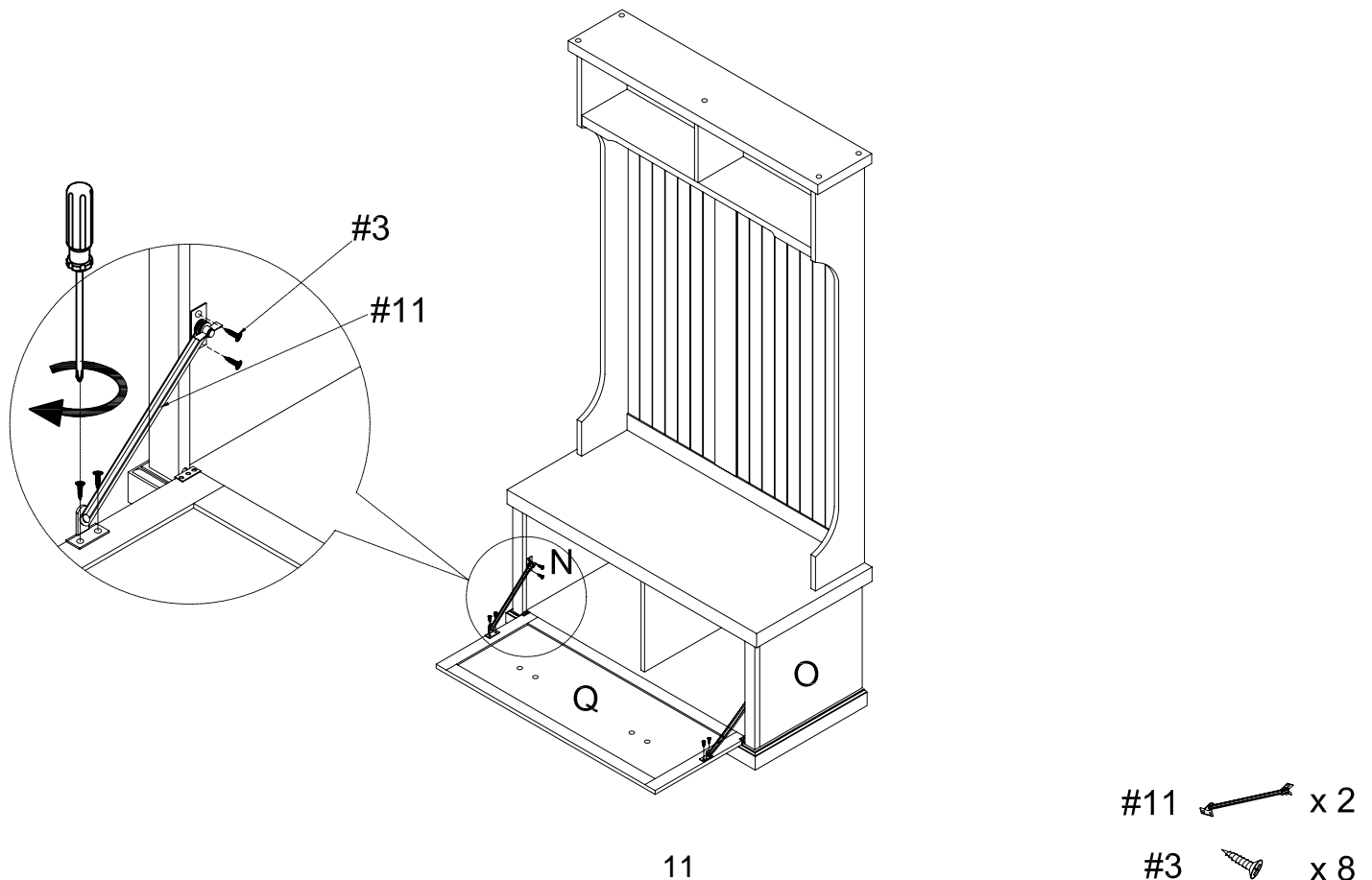


#1  x 4
 #8  x 4
 #9  x 4
 #7  x 6
 #14  x 1

Step 14. Attach bottom back panel (part R) to base of assembled unit using screws (part #5) and Phillips head screwdriver. Fasten back upper rail (part F), back middle rail (part G), back partition rail (part I) and bottom rail (part H) to upper back panel (part J) and middle back panels (part K) using screws (part #5) and Phillips head screwdriver. Turn the metal connect pieces on seat panel (part L) 90° as shown. Attach metal connect pieces to upper left side panel (part B) and upper right side panel (part C) using flat head screws (part #3) and Phillips head screwdriver.



Step 15. Attach hinges (part #11) to door (part Q), lower left side panel (part N) and lower right side panel (part O) using flat head screws (part #3) and Phillips head screwdriver.



#15

Ø4mm*3/4"

Ø4mm*1-1/2"

Safety Strap Kit

Wall Anchor

Washer

Short Screw

Long Screw

Safety Wall Strap

1 PC

a x 1 PC

b x 2 PCS

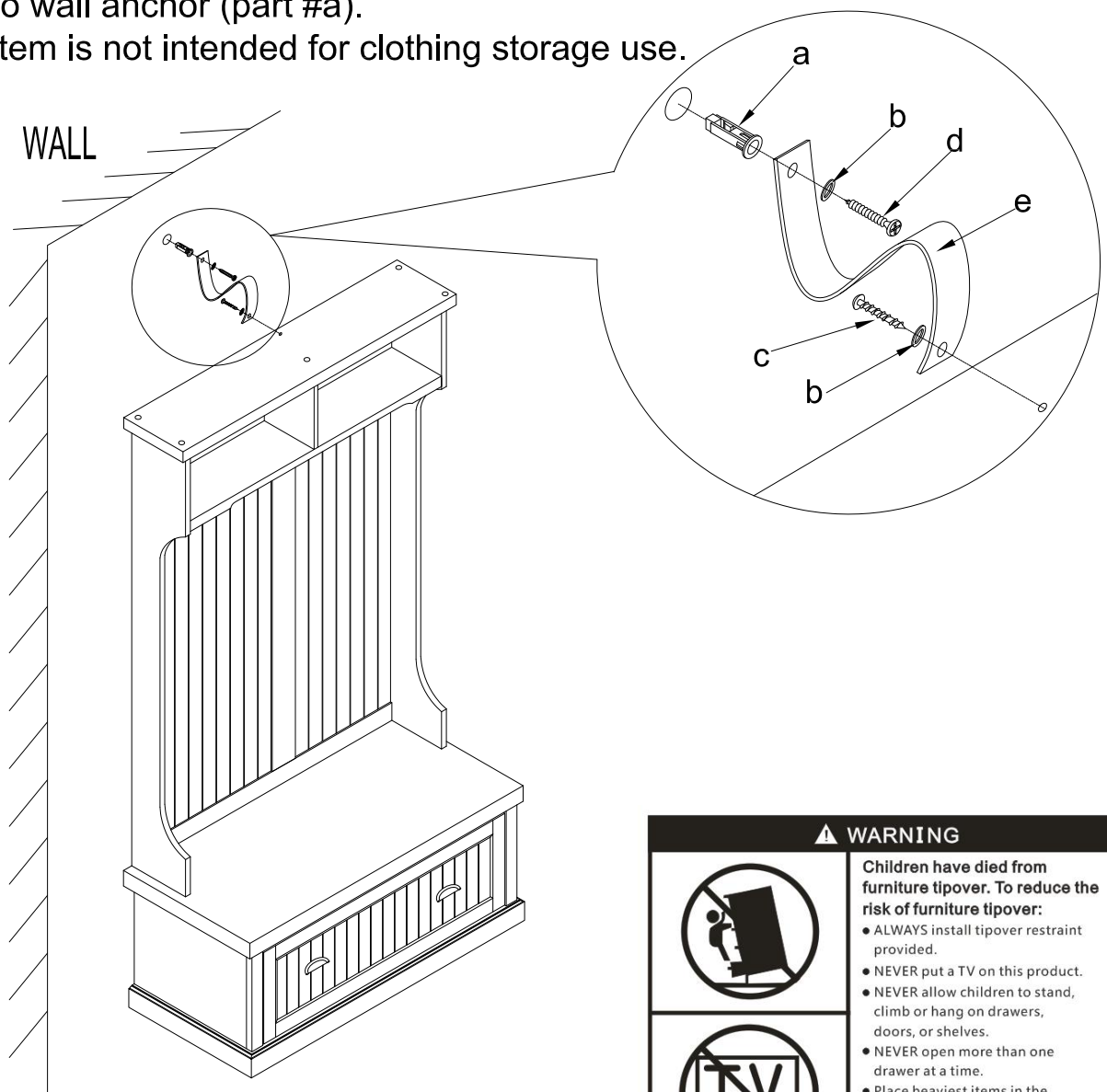
c x 1 PC

d x 1 PC

e x 1 PC

SAFETY STRAP WALL ASSEMBLY INSTRUCTION

- 1: Insert short screw (part #c) through washer (part #b) and safety wall strap (part #e) and screw it into the top center of top middle back panel (part A).
 - 2: Drill a 11/32" hole where you want to secure your unit. The hole should be at the same height as the hole in the top center of top middle back panel (part A). Tap wall anchor (part #a) into the hole.
 - 3: Insert Long Screw Part (d) through a washer (part #b) and wall safety strap (part #e) into wall anchor (part #a).
- Note: This item is not intended for clothing storage use.

**▲ WARNING**

Children have died from furniture tipover. To reduce the risk of furniture tipover:

- ALWAYS install tipover restraint provided.
- NEVER put a TV on this product.
- NEVER allow children to stand, climb or hang on drawers, doors, or shelves.
- NEVER open more than one drawer at a time.
- Place heaviest items in the lowest drawers.



*This is a permanent label.
Do not remove!*